

ROTEL *hifi*

LINE CONDITIONER

RLC-900

TECHNICAL MANUAL

TABLE OF CONTENTS

Chassis Layout.....	1
Wiring Diagram.....	2
Schematic Diagram.....	3
Printed Circuit Board.....	4
PC Board Ass'y Parts List.....	5

THE ROTEL CO., LTD.

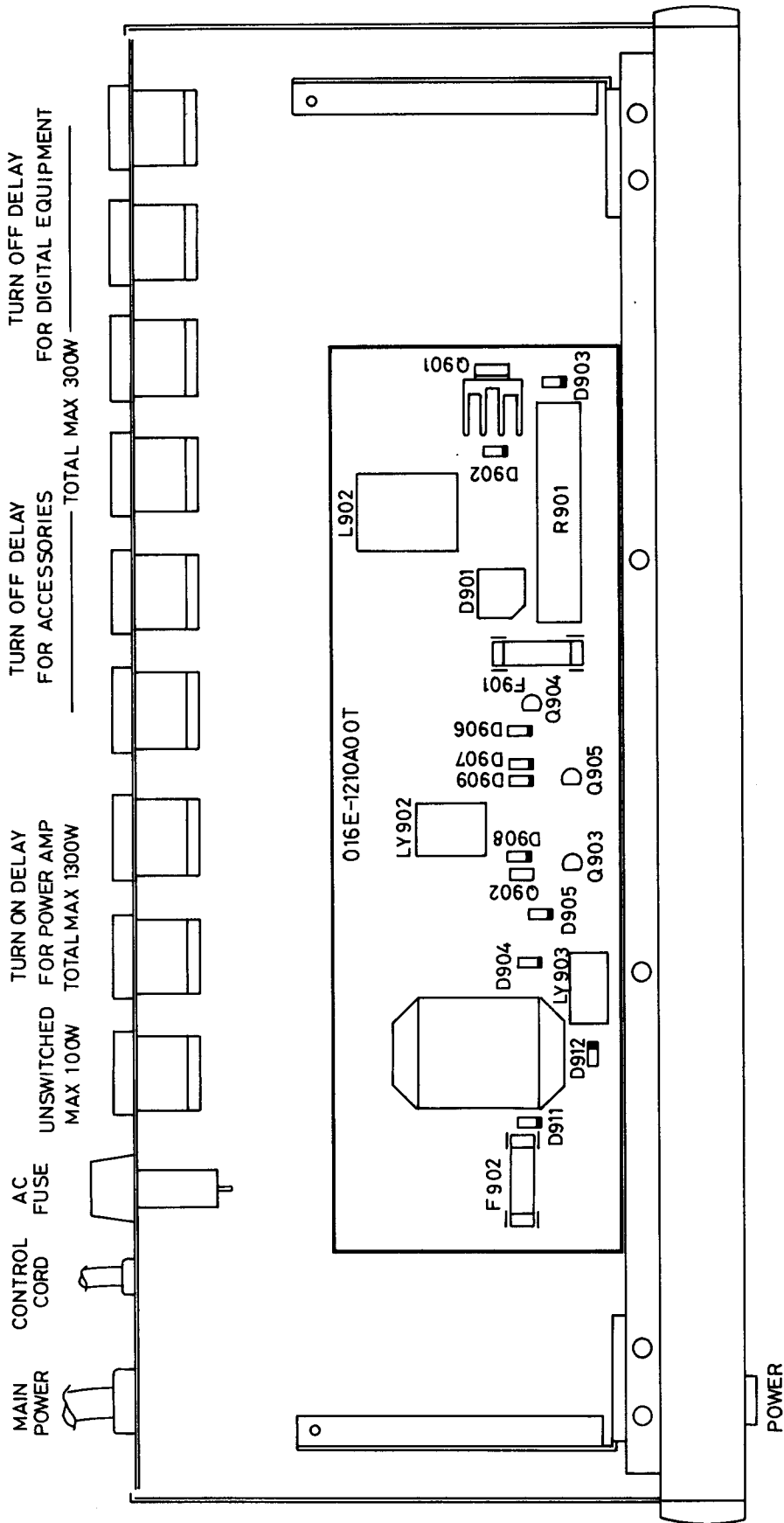
1-36-8, OHOKAYAMA, MEGURO-KU, TOKYO 152, JAPAN

ROTEL ELECTRONICS CO., LTD.

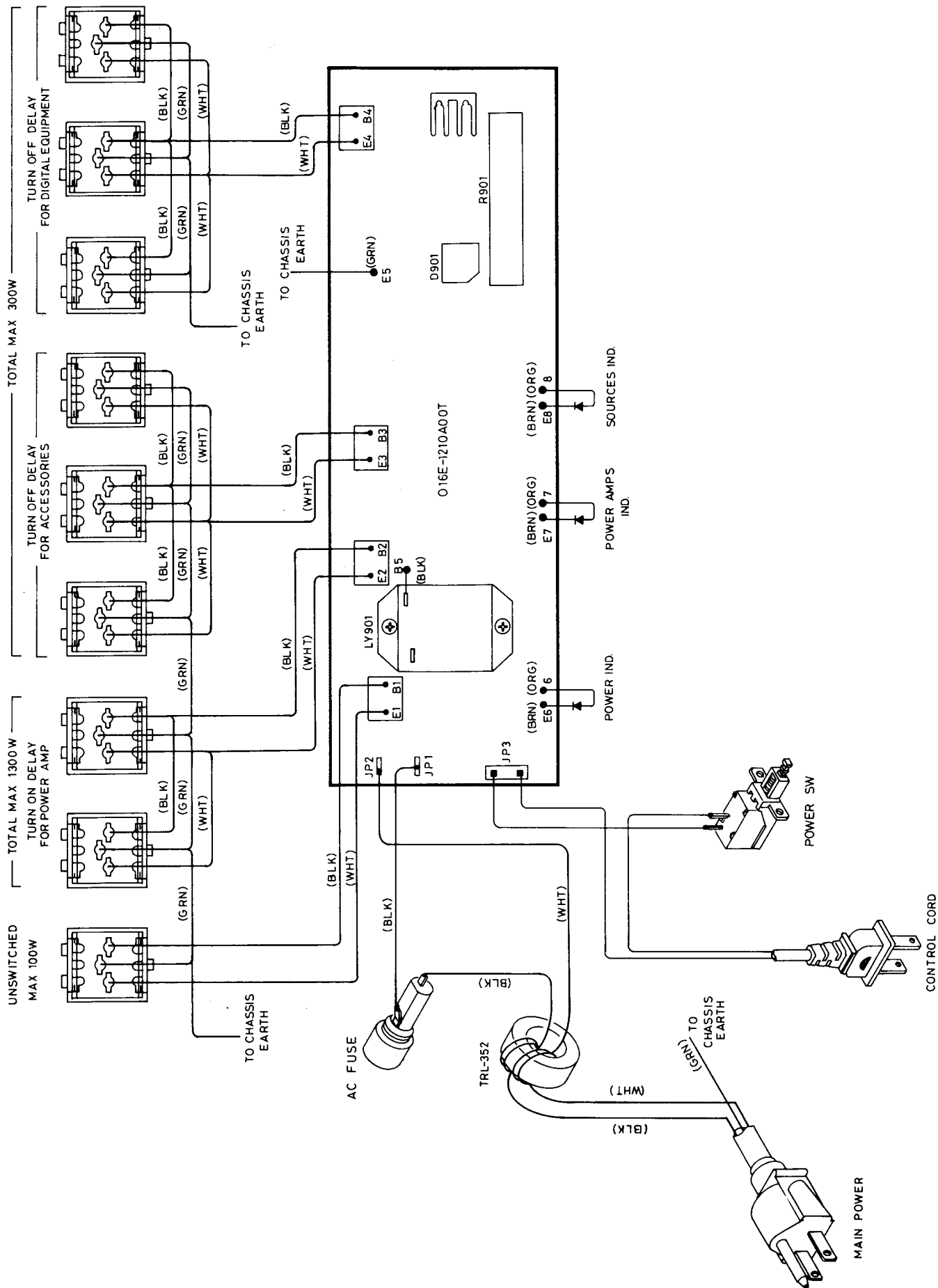
3F-2, NO.35, FU HSING NORTH ROAD, TAIPEI, TAIWAN, REPUBLIC OF CHINA

MN20002152

Chassis Layout



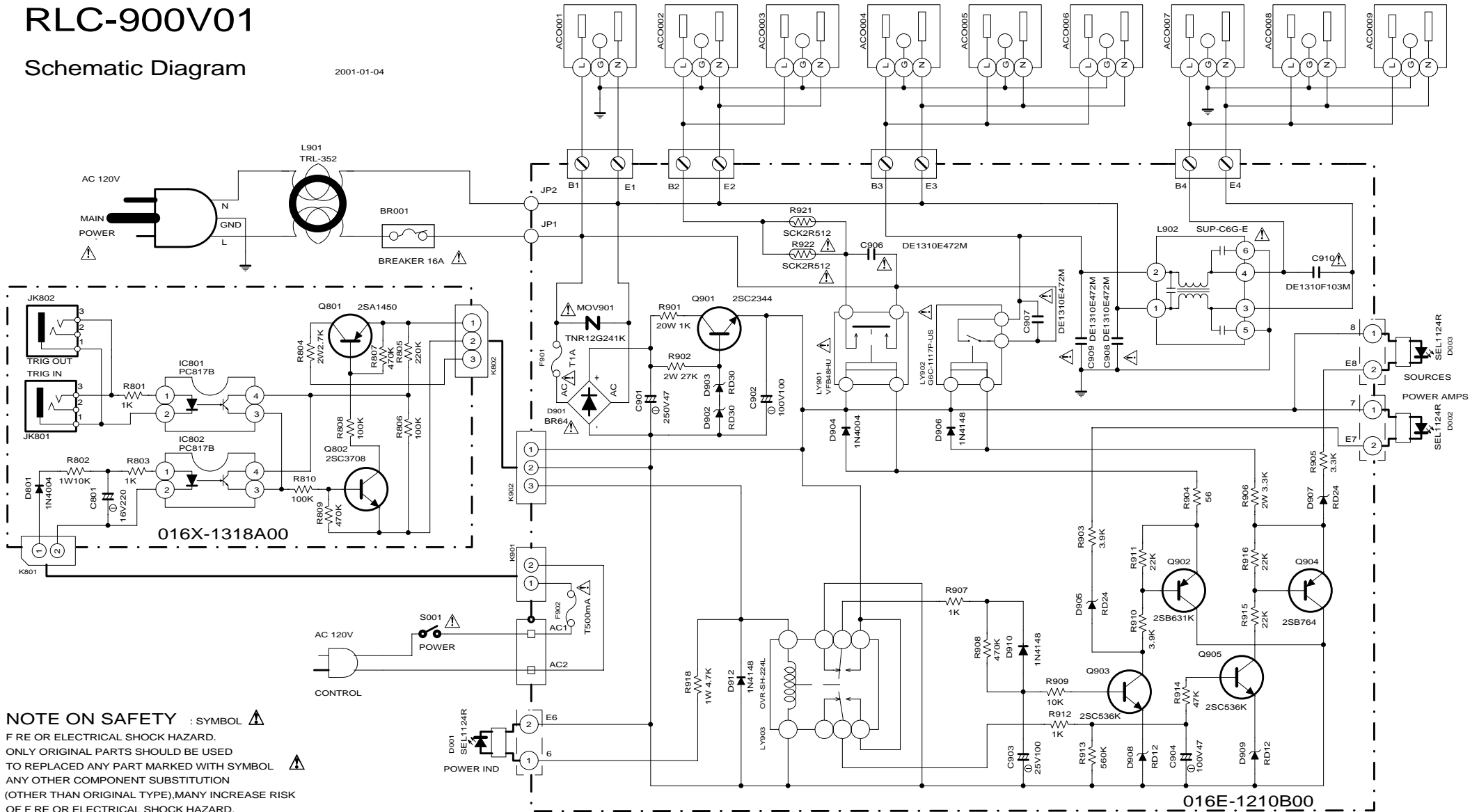
Wiring Diagram



RLC-900V01

Schematic Diagram

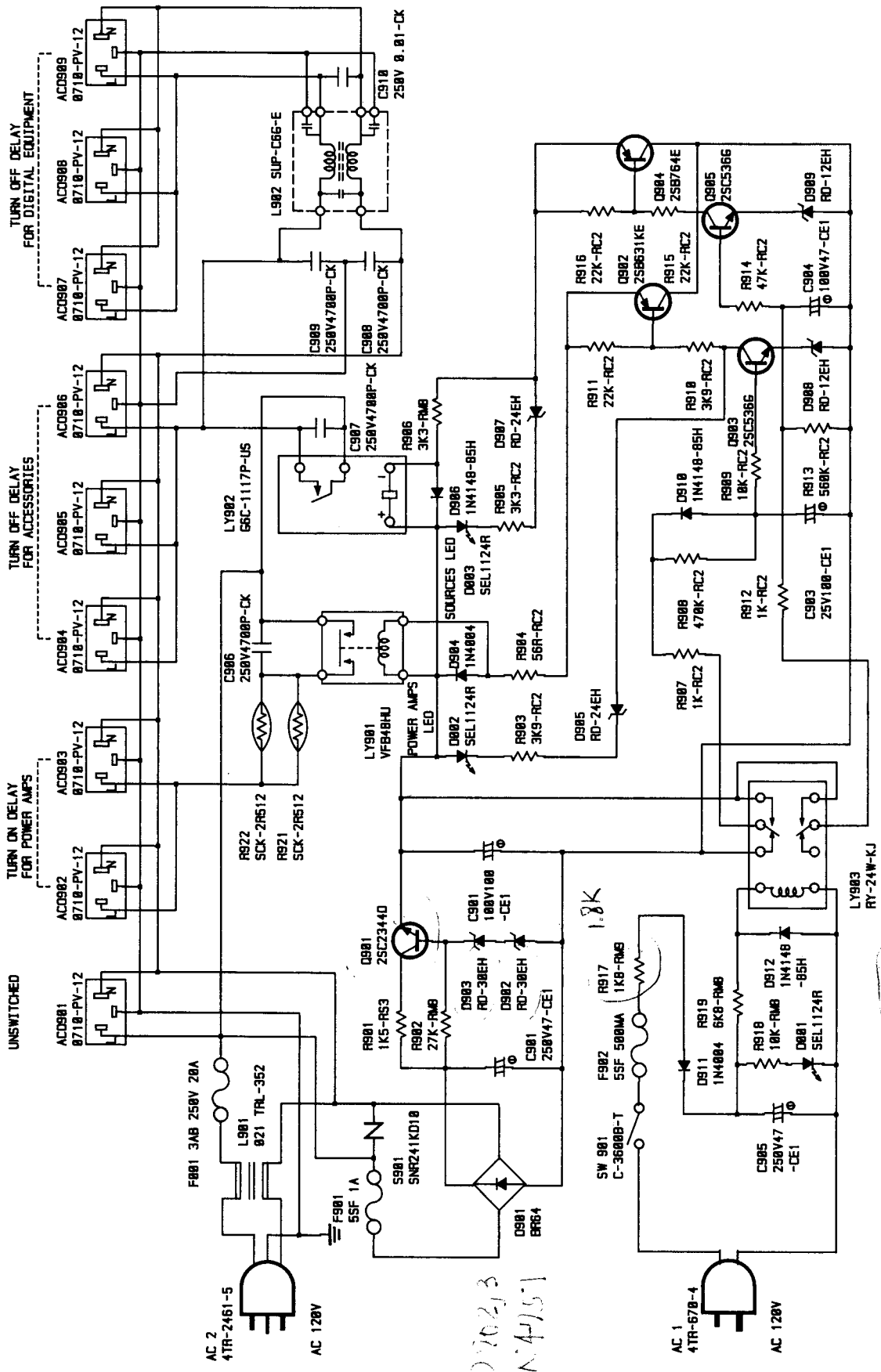
2001-01-04



NOTE ON SAFETY : SYMBOL ⚠
 F RE OR ELECTRICAL SHOCK HAZARD.
 ONLY ORIGINAL PARTS SHOULD BE USED
 TO REPLACED ANY PART MARKED WITH SYMBOL ⚠
 ANY OTHER COMPONENT SUBSTITUTION
 (OTHER THAN ORIGINAL TYPE),MANY INCREASE RISK
 OF F RE OR ELECTRICAL SHOCK HAZARD.

Schematic Diagram

SCHEMATIC DIAGRAM MODEL NO: RLC-900



DEAD

Parts List

NOTE: THE COMPONENTS IDENTIFIED BY Δ MARK ARE FOR SAFETY. REPLACE ONLY WITH ORIGINAL PARTS. DO NOT SUBSTITUTE.

SYMBOL	PARTS NO.	DESCRIPTION
	E-1210A00T	PCB ASSEMBLY
R901	RS01501528	R, WIREWOUND ERF20ZXJ152
R902	RM92702229	R, METAL 2W 27K J
R903	RD23901823	R, CARBON 3K9 1/4W J
R904	RD25609829	R, CARBON 56J 1/4W J
R905	RD23301820	R, CARBON 3K3 1/4W J
R906	RM93301220	R, METAL 2W 3K3 J
R907	RD21001821	R, CARBON 1K 1/4W J
R908	RD24703826	R, CARBON 470K 1/4W J
R909	RD21002825	R, CARBON 10K 1/4W J
R910	RD23901823	R, CARBON 3K9 1/4W J
R911	RD22202822	R, CARBON 22K 1/4W J
R912	RD21001821	R, CARBON 1K 1/4W J
R913	RD25603827	R, CARBON 560K 1/4W J
R914	RD24702822	R, CARBON 47K 1/4W J
R915, 916	RD22202822	R, CARBON 22K 1/4W J
R917	RM91801327	R, METAL 3W 1K8 J
R918	RM91002224	R, METAL 2W 10K J
R919	RM96801226	R, METAL 2W 6K8 J
R921, 922	DD60000416	RUCH CURRENT THERMISTOR SCK-2R512/116-020-51
C901	CE04706260	CAP, ELEC. 250V 47uF
C902	CE01005362	CAP, ELEC. 100V 100uF
C903	CE01005258	CAP, ELEC. 25V 100uF
C904	CE04706363	CAP, ELEC. 100V 47uF
C905	CE04706260	CAP, ELEC. 250V 47uF
C906-909	CK00000035	SPARK KILLER DE7150F472M Δ
C910	CK00000163	SPARK KILLER DE7150FZ103P Δ
Q901	TR30000303	TRANSISTOR 2SC2344 (D,E)
Q902	TR10000047	TRANSISTOR 2SB631KE/KF
Q903	TR30000327	TRANSISTOR 2SC536G-NP
Q904	TR10000059	TRANSISTOR 2SB764E/F
Q905	TR30000327	TRANSISTOR 2SC536G-NP
D901	DD10000457	DIODE BR-64
D902	DD20000030	DIODE RD-30E
D903	DD20000030	DIODE RD-30E
D904	DD10000354	DIODE IN4004
D905	DD20000089	DIODE RD-24E
D906	DD10000100	DIODE IN4148-85
D907	DD20000089	DIODE RD-24E
D908	DD20000016	DIODE ED-12E
D909	DD20000016	DIODE ED-12E
D910	DD10000100	DIODE IN4148-85
D911	DD10000354	DIODE IN4004
D912	DD10000100	DIODE IN4148-85
F901	FU24000057	FUSE 250V 1A UL/CSA Δ
F902	FU24000033	FUSE 250V 500mA UL/CSA Δ
LY901	LY00000381	RELAY VFB48HU Δ
LY902	LY00000393	RELAY G6C-1117P-US Δ
LY903	LY00000277	RELAY RY-24W-KJ Δ
L902	LC40000019	COIL SUP-C6G-E
MOV901	DD30000177	METAL OXIDE VARISTOR TNK1ZG241K Δ
OTHERS		
	AM00002141	PRINTED CHASS. BODY QM3-02A00T TRP-633
	LM00000450	FERRITE CORE TRL-352
	CD00000504	AC CORD SJT-3 AWG#14 4TR-2461#5 Δ
	FU16000015	FUSE (LITTLE 3AB) 250V 20A Δ
	FD00000150	FUSE HOLDER FH052S C-4228A01 Δ
	SA00002879	AC OUTLET SOCKET 0710-PV-12 Δ

SYMBOL	PARTS NO.	DESCRIPTION
	SC00000027	AC CORD STOPPER SR-4N-4 Δ
	SC00000143	AC CORD STOPPER SR-7W-2 Δ
	SH40000120	POWER SWITCH C-3600B-T Δ
	SP10006818	PANEL SUPPORT (L) QN4-04A00T
	SP10006820	PANEL SUPPORT (R) QN4-05A00T
	FT00000230	FOOT (PU) 4TR-2823#1 24Fx14H
	CD00000218	AC CORD SPT-2 AWG#18 4TR-670#4 Δ
	AA60000104	FRONT PANEL QM3-01A00T TFP-699
	BU00001145	POWER RING W/LED 4TQF-13 14x14
	KB20002681	POWER BUTTON 4TQF-15 14x14
	OM10001260	ORNAMENTAL SIDE BOARD 4TR-2797#1 H=60MM
	DD40000095	LED SEL1124R
	OM70000065	PUSH BUTTON CONNECTOR 4TTL-15
	SN00000179	BUTTON SPRING 4TR-1988A#2 10F
	AU00001389	TOP COVER POLY QN3-03A02T
	SR00000882	UPPER COVER SPACER 4TR-2418
	MN10003189	OWNER'S MANUAL RLC-900
	PL00001270	STYROL SIDE MOULDING 3TR-3034 TZ-192